



CONTINUOUS MINER GCM235



Specifications

Operating Dimensions

Mining Range (recommended)	1067-2946 mm	42-116 in
Minimum Height	914 mm	36 in
Maximum Reach	3251 mm	10 ft 8 in
Ground Clearance	229 mm	9 in
Length Rear Bumper to Face	8160 mm	26 ft 9 in

Transport Dimensions

Frame Width (over rub rails)	3277 mm	10 ft 9 in
Overall Length	11049 mm	36 ft 3 in
Height (over scrubber duct)	914 mm	36 in

Machine Weight

Weight (total)	61.2 tonnes	135,000 lb
----------------	-------------	------------

Cutting Unit

Cutting Drum Diameter	914 mm	36 in
Cutting Drum Width	3581 mm	11 ft 9 in
Cutting Power – Motors (one-hour rating)	2 x 205 kW	2 x 275 hp

Loading Unit

Loading Method	6-finger CLA	
Conveyor Width	965 mm	38 in
Conveyor Depth	152 mm	6 in
Loading Capacity	14-29 tonnes /min	15-32 tons /min
Conveyor Power – Motors (one-hour rating)	2 x 45 kW	2 x 60 hp

Total Installed Power

One-hour Rating without Scrubber	701 kW	940 hp
----------------------------------	--------	--------

Traction Unit

Crawler Chain Width	508 mm	20 in
Crawler Assembly Length	2896 mm	9 ft 6 in
Ground Pressure	204 kPa	29.6 psi
Crawler Speed	0-26 m/min	0-85 fpm
Traction Power – AC/VFD (one-hour rating)	2 x 82 kW	2 x 110 hp

Pump Unit

Pump Power – Motor (one-hour rating)	1 x 37 kW	1 x 50 hp
--------------------------------------	-----------	-----------

Optional Dust Suppression

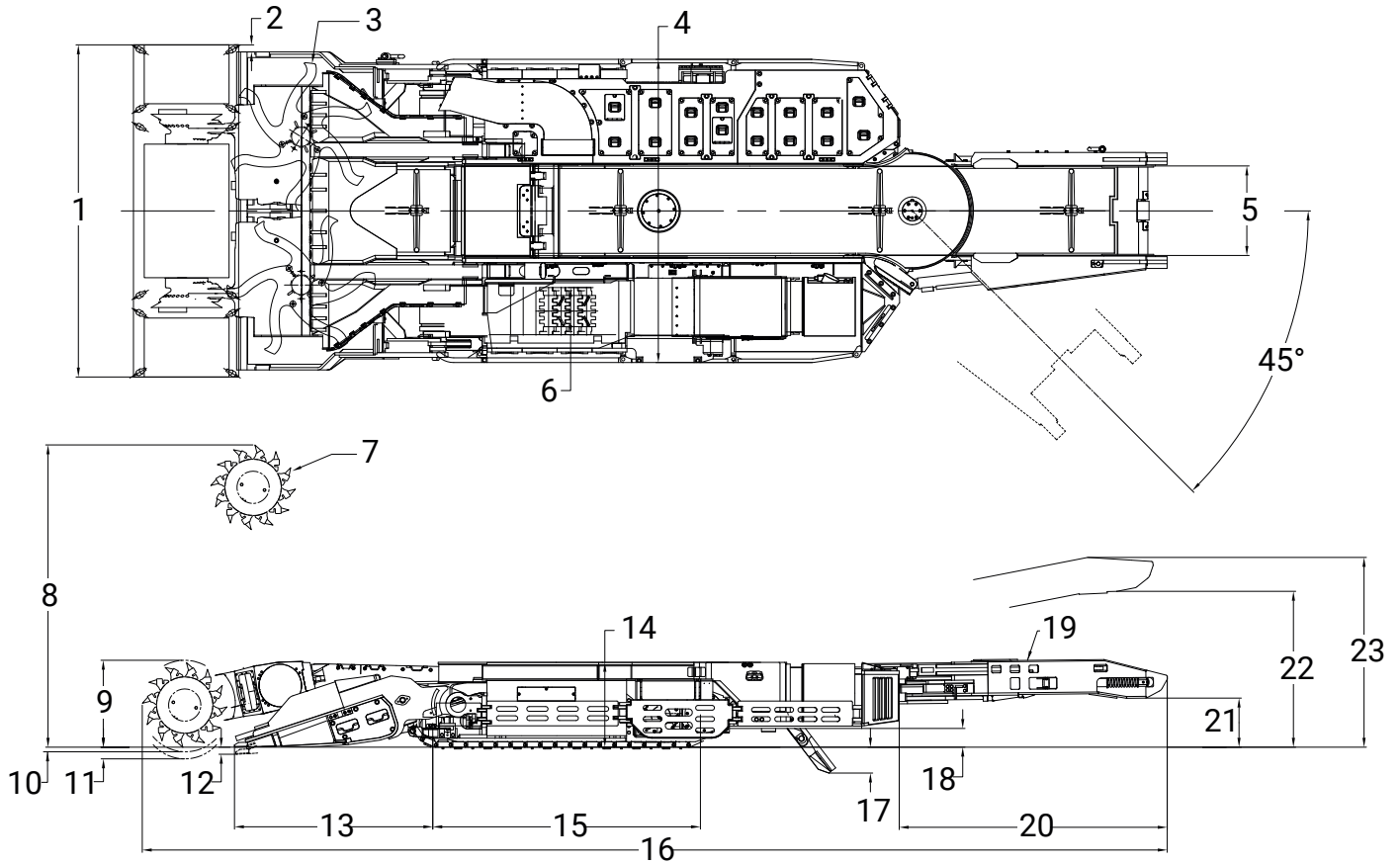
Scrubber Assembly	Top mounted, dual intake (bidirectional discharge)	
Scrubber Type	Wet bed	
Scrubber Capacity	2.8m ³ /sec	6,000 ft ³ /min
Fan Power – Motor	1 x 22 kW	1 x 30 hp

Electrical System

Machine Voltage (International voltages available)	950V AC	60 Hz
Control System	Processor based/ radio remote control	

Loading Unit

Loading Method	6-finger CLA	
Conveyor Width	965 mm	38 in
Conveyor Depth	152 mm 6 in	
Loading Capacity	14-29 tonnes /min	15-32 tons /min
Conveyor Power – Motors (one-hour rating)	2 x 45 kW	2 x 60 hp


Dimensions (All dimensions are approximate.)

1	3581 mm	11 ft 9 in	13	2134v	7 ft
2	76 mm	3 in	14	914 mm	36 in
3	1600 mm	63 in	15	2896 mm	9 ft 6 in
4	3277 mm	10 ft 9 in	16	11 049 mm	36 ft 3 in
5	965 mm	38 in	17	279 mm	11 in
6	508 mm	20 in	18	229 mm	9 in
7	914 mm	36 in	19	152 mm	6 in
8	3251 mm	10 ft 8 in	20	2889 mm	9 ft 5.75 in
9	914 mm	36 in	21	527 mm	1 ft 8.75 in
10	51 mm	2 in	22	1683 mm	5 ft 6.25 in
11	127 mm	5 in	23	2045 in	6 ft 8.5 in
12	76 mm	3 in			

India

Gainwell Engineering Private Limited
 Godrej Genesis Technology Park
 Unit 401, 402, 403, Plot X1
 Block EP & GP, Salt Lake
 Sector V, Kolkata – 700091, India
 Email : info@gainwellengineering.com

Singapore

Gainwell Engineering Global PTE. Limited
 39 Robinson Road
 #15-01, Robinson Point
 Singapore 068911
 Phone : +65 98706685
 Email : finance@enl.com.sg

Australia

Gainwell Engineering Pacific Pty Limited
 135 Bulls Garden Road
 Gateshead, NSW 2290
 +61 0240721130
 Phone : (02) 4072 1130
 Email : cs@gainwellengineering.com

USA

Gainwell Engineering Inc.
 198 Baughan Road
 HICO, West Virginia, 25854
 United States of America
 Phone: 1-304-658-2100
 Email: inquiries@gainwellengineering.com