

# CONTINUOUS MINER GCM240

## Specifications

### Operating Dimensions

|                            |              |            |
|----------------------------|--------------|------------|
| Mining Range (recommended) | 1676-3632 mm | 66-143 in  |
| Minimum Height             | 1530 mm      | 60 in      |
| Maximum Reach              | 3931 mm      | 155 in     |
| Ground Clearance           | 305 mm       | 12 in      |
| Length Rear Bumper to Face | 8428 mm      | 27 ft 8 in |

### Transport Dimensions

|                              |           |            |
|------------------------------|-----------|------------|
| Frame Width (over rub rails) | 3175 mm   | 10 ft 5 in |
| Overall Length               | 11 589 mm | 38 ft 0 in |
| Height (over scrubber duct)  | 1137 mm   | 45 in      |

### Machine Weight

|                |           |            |
|----------------|-----------|------------|
| Weight (total) | 68 tonnes | 150,000 lb |
|----------------|-----------|------------|

### Cutting Unit

|  |            |            |
|--|------------|------------|
| Cutting Drum Diameter                    | 1118 mm    | 44 in      |
| Cutting Drum Width                       | 3531 mm    | 11 ft 7 in |
| Cutting Power – Motors (one-hour rating) | 2 × 201 kW | 2 × 270 hp |

### Loading Unit

|   |                  |                |
|---|------------------|----------------|
| Loading Method                            | 3 finger CLA     |                |
| Conveyor Width                            | 914 mm           | 36 in          |
| Conveyor Depth                            | 305 mm           | 12 in          |
| Loading Capacity                          | 18-23 tonnes/min | 20-25 tons/min |
| Conveyor Power – Motors (one-hour rating) | 2 × 45 kW        | 2 × 60 hp      |

### Traction Unit

|   |            |             |
|---|------------|-------------|
| Crawler Chain Width                       | 508 mm     | 20 in       |
| Crawler Assembly Length                   | 2896 mm    | 9 ft 6 in   |
| Ground Pressure                           | 227 kPa    | 32.9 psi    |
| Crawler Speed                             | 0-26 m/min | 0-85 ft/min |
| Traction Power – AC/VFD (one-hour rating) | 2 × 82 kW  | 2 × 110 hp  |

### Hydraulic Unit

|  |           |           |
|--|-----------|-----------|
| Hydraulic Pump Power – Motor (one-hour rating) | 1 × 37 kW | 1 × 50 hp |
|--|-----------|-----------|

### Optional Dust Suppression

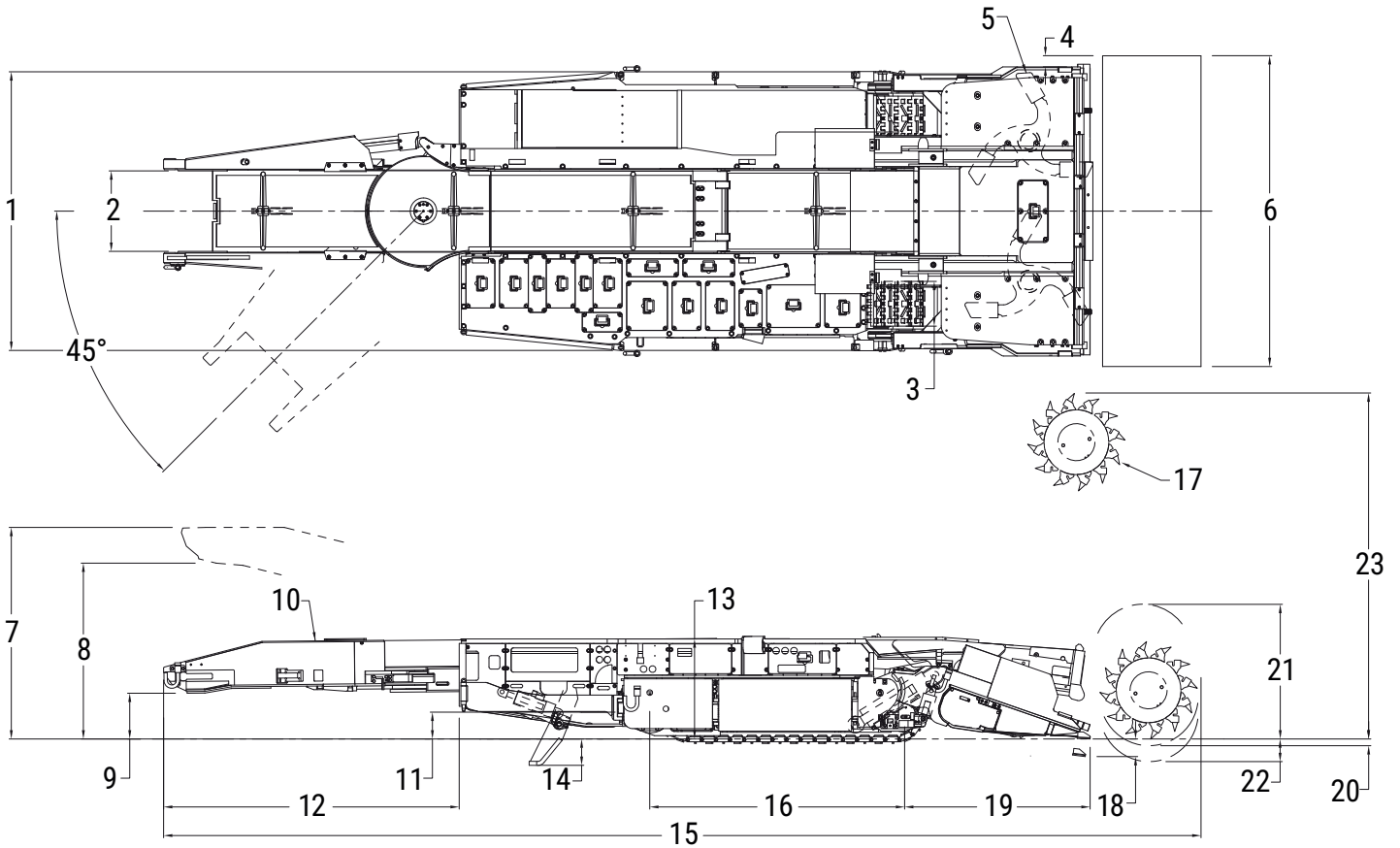
|                   |                         |                            |
|-------------------|-------------------------|----------------------------|
| Scrubber Assembly | Top mounted             |                            |
| Scrubber Type     | Wet bed                 |                            |
| Scrubber Capacity | 3.8 m <sup>3</sup> /sec | 8,000 ft <sup>3</sup> /min |
| Fan Power – Motor | 1 × 22 kW               | 1 × 30 hp                  |

### Electrical System

|  |  |
|--|--|
| Machine voltage (International voltages available) | 950V AC 60 Hz                            |
| Control System                                     | Processor based/<br>radio remote control |

### Total Installed Power

|                                    |        |        |
|------------------------------------|--------|--------|
| One-hour Rating (without scrubber) | 694 kW | 930 hp |
|------------------------------------|--------|--------|


**Dimensions (All dimensions are approximate.)**

|    |         |               |    |           |             |
|----|---------|---------------|----|-----------|-------------|
| 1  | 3175 mm | 10 ft 5 in    | 13 | 1137 mm   | 45 in       |
| 2  | 914 mm  | 36 in         | 14 | 305 mm    | 12 in       |
| 3  | 508 mm  | 20 in         | 15 | 11 589 mm | 38 ft 0 in  |
| 4  | 127 mm  | 5 in          | 16 | 2896 mm   | 9 ft 6 in   |
| 5  | 1573 mm | 62 in         | 17 | 1118 mm   | 44 in       |
| 6  | 3531 mm | 11 ft 7 in    | 18 | 200 mm    | 8 in        |
| 7  | 2404 mm | 7 ft 10.75 in | 19 | 2108 mm   | 6 ft 11 in  |
| 8  | 1998 mm | 6 ft 6.75 in  | 20 | 76 mm     | 3 in        |
| 9  | 520 mm  | 20.5 in       | 21 | 1530 mm   | 5 ft 0 in   |
| 10 | 305 mm  | 12 in         | 22 | 257 mm    | 10 in       |
| 11 | 305 mm  | 12 in         | 23 | 3931 mm   | 12 ft 11 in |
| 12 | 3162 mm | 10 ft 4.5 in  |    |           |             |

**India**

Gainwell Engineering Private Limited  
 Godrej Genesis Technology Park  
 Unit 401, 402, 403, Plot X1  
 Block EP & GP, Salt Lake  
 Sector V, Kolkata – 700091, India  
 Email : [info@gainwellengineering.com](mailto:info@gainwellengineering.com)

**Singapore**

Gainwell Engineering Global PTE. Limited  
 39 Robinson Road  
 #15-01, Robinson Point  
 Singapore 068911  
 Phone : +65 98706685  
 Email : [finance@enl.com.sg](mailto:finance@enl.com.sg)

**Australia**

Gainwell Engineering Pacific Pty Limited  
 135 Bulls Garden Road  
 Gateshead, NSW 2290  
 +61 0240721130  
 Phone : (02) 4072 1130  
 Email : [cs@gainwellengineering.com](mailto:cs@gainwellengineering.com)

**USA**

Gainwell Engineering Inc.  
 198 Baughan Road  
 HICO, West Virginia, 25854  
 United States of America  
 Phone: 1-304-658-2100  
 Email: [inquiries@gainwellengineering.com](mailto:inquiries@gainwellengineering.com)